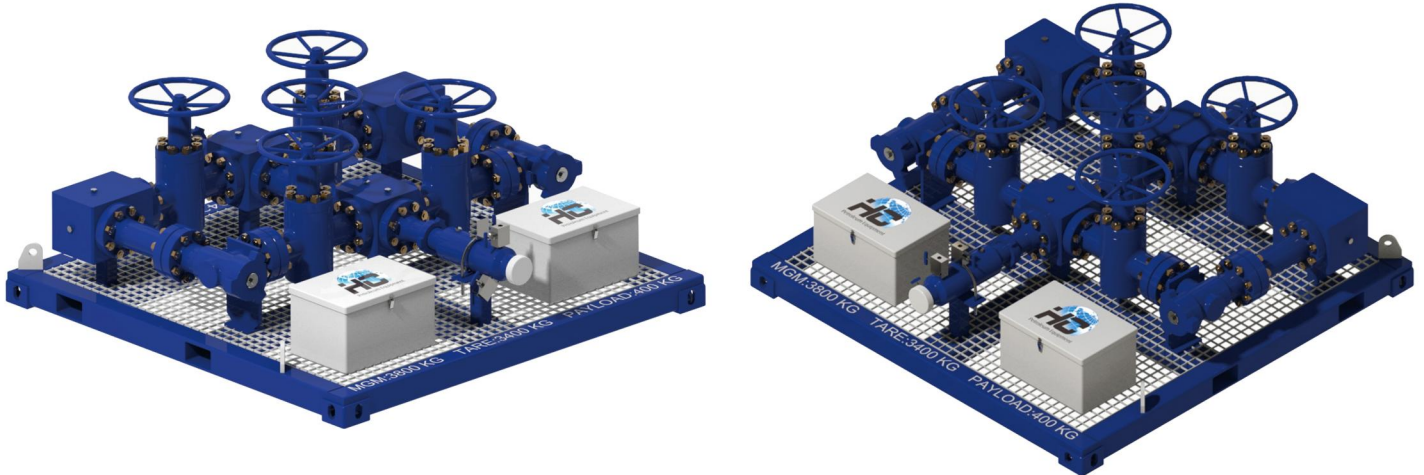


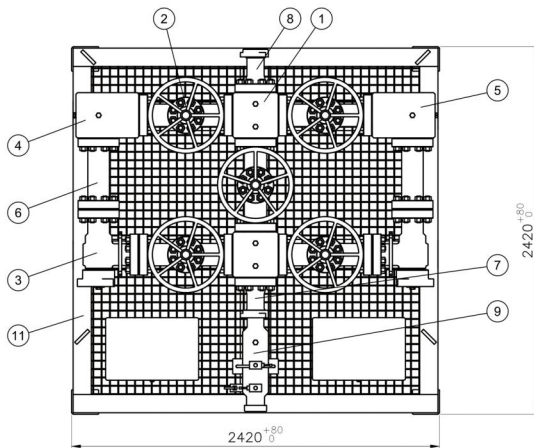
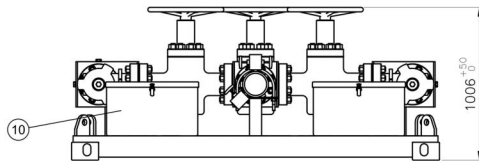
Choke Manifold

Choke Manifold is an assembly which consist of high-pressure valves and chokes, used for reducing the pressure from the well head. It is operated by opening and closing an adjustable or fixed choke.

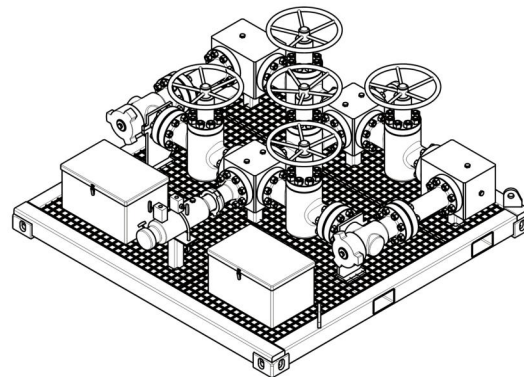


Technical Parameters

HK HUICHUAN INTERNATIONAL PETROLEUM EQUIPMENT CO.,LTD



No.	NAME	QTY
1	Studded cross c/w 2-1/2" NPT ports, 10K	2
2	Gate valve, 3.1/16"-10K	5
3	Positive choke valve, 3.1/16"-10K	2
4	Studded elbow c/w 2-1/2" NPT ports, 10K	1
5	Studded elbow c/w 2-1/2" NPT ports, 10K	1
6	Spacer spool, 10K	2
7	Inlet, Flanged female union Fig.1002	1
8	Outlet, Flanged male union Fig.1002	1
9	Data header c/w 6-1/2" NPT ports, 10K	1
10	Tool case	2
11	Skid	1



Standard compliance				HK HUICHUAN INTERNATIONAL PETROLEUM EQUIPMENT CO., LTD.	
Design&Manufacture	API 6A / API 16C			CHOKE MANIFOLD	
Material Class	AA-EE			Size: 78 mm Rating: 10000 PSI	
Working temperature	-29℃~121℃			End Connection: Hammer Union Fig.1002	
Product specification level	PSL 2			Weight: 3480 kg	
Special	Sour service			General Assembly Drawing	
				Scale 1:1	
0	09/05/2019	ZJB		DWG No.: REV	
Rev.	Date	Designed	Checked	Approved	CM78-10K-S01
					A



Application

- Exploration well testing
- Clean-ups and flowback operations
- Extended well testing
- Multiphase flow metering

Design Code & Standards

- API 6A PSL 3 PR1/PR2
- CE/PED
- NACE MR0175
- DNV 2.7-1

Technical Parameters

Design Pressure			Size		Dimensions L X W X H		Configuration
psi	bar	MPa	inch	mm	inch	m	
5000	345	34.5	3.1/16"	78	90.9 x 89.6 x 32.5	2.31x 2.28 x 0.8	5 x Manual Valves 1 x Adj.Choke & 1 x Pos. Choke 1 x Data-header
5000	345	34.5	3.1/16"	78	90.9 x 135.7 x 41.8	2.31x 3.45 x 1.06	2 x Hyd.Valves & 6 x Man. Valves 1 x Adj.Choke & 1 x Pos. Choke 1 x Data-header
5000	345	34.5	3.1/16"	78	90.9 x 135.7 x 32.5	2.31x 3.45 x 0.8	8 x Manual Valves 1 x Adj.Choke & 1 x Pos. Choke 1 x Data-header
5000	345	34.5	4.1/16"	103	99 x 165.7 x 37.0	2.52x 4.21 x 0.94	8 x Manual Valves 1 x Adj.Choke & 1 x Pos. Choke 1 x Data-header
5000	345	34.5	4.1/16"	103	85 x 165.7 x 90.0	2.16x 4.21 x 2.29	8 x Manual Valves 1 x Adj.Choke & 1 x Pos. Choke 2 x Data-header & 2 x Lifting Arm on Skid
5000	345	34.5	4.1/16"	103	76 x 108.9 x 74.0	1.93 x 2.77 x 1.88	4 x Manual Valves 1 x Adj.Choke & 1 x Pos. Choke 2 x Data-header & 1 x Lifting Arm on Skid
10000	690	69	3.1/16"	78	99.9 x 95.6 x 39.4	2.54 x 2.44 x 1.0	5 x Manual Valves 1 x Adj.Choke & 1 x Pos. Choke 1 x Data-header
10000	690	69	3.1/16"	78	99.9 x 151.0 x 53.4	2.54 x 3.84 x 1.4	2 x Hyd.Valves & 6 x Man. Valves 1 x Adj.Choke & 1 x Pos. Choke 1 x Data-header
10000	690	69	3.1/16"	78	99.9 x 151.0 x 39.44	2.54 x 3.84 x 1.0	8 x Manual Valves 1 x Adj.Choke & 1 x Pos. Choke 1 x Data-header
10000	690	69	4.1/16"	103	108 x 178.25 x 46.0	2.74 x 3.53 x 1.7	8 x Manual Valves 1 x Adj.Choke & 1 x Pos. Choke 1 x Data-header
10000	690	69	4.1/16"	103	90 x 178.25 x 96.0	2.3 x 3.53 x 2.44	8 x Manual Valves 1 x Adj.Choke & 1 x Pos. Choke 2 x Data-header & 2 x Lifting Arm on Skid
10000	690	69	4.1/16"	103	85 x 120.0 x 85.0	2.16 x 3.1 x 2.16	4 x Manual Valves 1 x Adj.Choke & 1 x Pos. Choke 2 x Data-header & 1 x Lifting Arm on Skid
15000	1035	103.5	3.1/16"	78	103.5 x 161.9 x 73.1	2.63 x 4.11 x 1.9	4 x Hyd.Valves & 4 x Man. Valves 1 x Hyd. Adj.Choke & 1 x Pos. Choke 1 x Data-header
15000	1035	103.5	3.1/16"	78	177 x 175 x 44.61	4.5 x 4.46 x 1.33	6 x Manual Valves 4 x Pos. Choke 2 x Skids
15000	1035	103.5	3.1/16"	78	161.9 x 103.5 x 72.1	4.2 x 2.63 x 1.84	2 x Hyd.Valves & 6 x Man. Valves 1 x Adj.Choke & 1 x Pos. Choke 1 x Data-header
15000	1035	103.5	4.1/16"	103	103.5 x 161.9 x 43.63	2.63 x 4.11 x 1.1	8 x Manual Valves 1 x Adj.Choke & 1 x Pos. Choke 1 x Data-header
15000	1035	103.5	4.1/16"	103	103.5 x 161.9 x 58.5	2.63 x 4.11 x 1.5	2 x Hyd.Valves & 6 x Man. Valves 1 x Adj.Choke & 1 x Pos. Choke 1 x Data-header
15000	1035	103.5	4.1/16"	103	96 x 175.0 x 72.2	2.44 x 4.45 x 1.8	8 x Manual Valves 1 x Adj.Choke